

REV A
 SHEET 1
 DWG NO. 10-A-FFI-XX

SPECIFICATIONS:

POWER RATING: 10 WATTS AT 40°C.
 12 WATTS AT 25°C.

FREQUENCY RANGE & VSWR:

DC TO 1GHz AT 1.10:1 MAX.
 1GHz TO 4GHz AT 1.25:1 MAX.

AMBIENT TEMPERATURE RANGE: -40°C TO +40°C

CONNECTOR OPTIONS: DEPENDS ON CONNECTOR KIT

OPERATING POSITION: ANY

COOLANT: DRY (CONVECTION COOLED)

DIMENSIONS: 1.60" L X 2.30" DIA.

WEIGHT: 6.2 O.Z.

- DIM'S. AND WEIGHT ARE WITHOUT ADAPTERS

NOTE:

VSWR AND LOSS CHARACTERISTICS OF THE COMPLETE ATTENUATOR/ADAPTER ASSEMBLY MAY BE DERATED BY INTERSERIES OR CUSTOMER-SUPPLIED ADAPTERS.

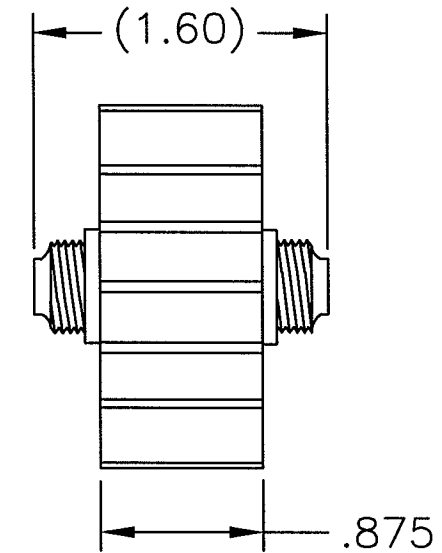
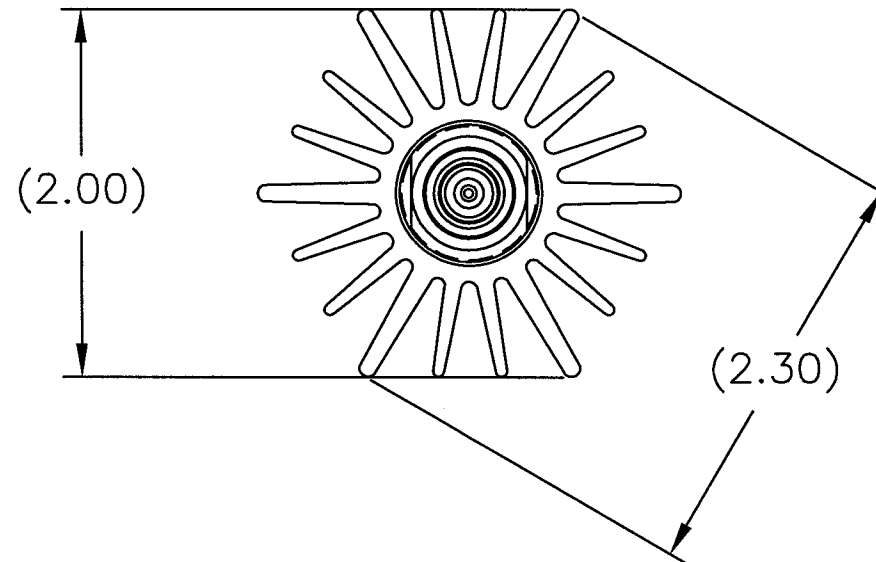
NOTE:

FOR VALUES NOT LISTED, REFER TO THE NEXT HIGHER ATTENUATION LEVEL FOR SPECIFICATIONS. FOR ATTENUATION VALUES GREATER THAN THE HIGHEST LISTED ATTENUATION VALUE, REFER TO THE VALUE 1/2 THE DESIRED ATTENUATION LEVEL, THEN DOUBLE THE LISTED SPECIFICATION VALUES, UNLESS OTHERWISE SPECIFIED.

XX = DASH NUMBER (dB VALUE)

-30	30	±0.8 dB	±1.3 dB
-20	20	±0.5 dB	±1.0 dB
-10	10	±0.4 dB	±0.8 dB
-06	6	±0.4 dB	±0.6 dB
-03	3	±0.3 dB	±0.5 dB
-02	2	±0.3 dB	±0.5 dB
-01	1	±0.3 dB	±0.5 dB
DASH NO.	dB ATTEN.	DC - 1GHz ATTENUATOR	1 - 4GHz ACCURACY ±dB

REVISIONS				
ZONE	REV	DESCRIPTION	DATE	APPROVED
	A	CONVERT TO BEC FORMAT	DMR 4-3-03	MRU



UNLESS OTHERWISE SPECIFIED DIMENSIONS ARE IN INCHES TOLERANCES ARE: FRACTIONS DECIMALS ANGLES ± 1/64 .XX = ±.010 ± 30' .XXX = ±.005		MILLIMETERS .X = ±.4 .XX = ±.12	THIS DRAWING IS THE PROPERTY OF THE BIRD ELECTRONIC CORPORATION. THE DESIGNS AND SPECIFICATIONS DISCLOSED HEREON ARE PROPRIETARY AND SHALL NOT BE REPRODUCED, NOR COPIED, NOR USED AS THE BASIS FOR THE MANUFACTURE OR SALE OF APPARATUS OR DEVICES WITHOUT THEIR EXPRESS WRITTEN CONSENT.		BIRD Electronic Corporation Cleveland (Solon) Ohio USA
DO NOT SCALE DRAWING		APPROVALS DRAWN D.M.RINK CHECKED APPROVED <i>MARKY</i>		DATE 4-3-03 6-15-03 AUTOCAD	
MATERIAL		TITLE ATTENUATOR, CONVECTION COOLED W/INTER SERIES CONNECTOR ADAPTERS, 10W		SIZE B FSCM NO. 70998 SCALE 1:1	DWG. NO. 10-A-FFI-XX COMM CODE AT1 SHEET 1 OF 1
FINISH				REV A	